

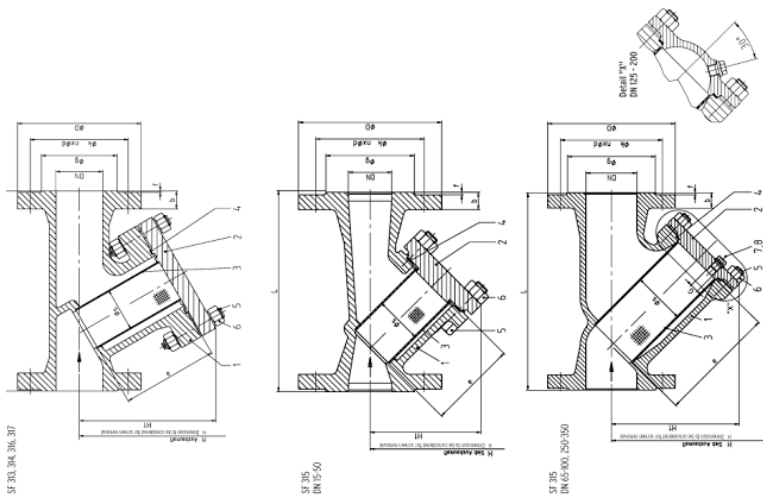
Y Type Strainer

Technical Specification

Design and Manufacture Standard: ASME B16.34, HG/T 3704

Flange Standard: ASME B 16.5 ,GB/T 9119 ,DIN ,JIS

Inspection and Testing: API 598, GB/T 13927



Product Specification

Body Material	WCB, ASTM A395 , CF8 ,CF8M
Lining Material	PTFE , PFA , PO ,FEP
Screen Material	PTFE
Nominal Diameter	1/2"-14"(DN15~DN350)
Pressure Range	Class150 , PN10 , PN16

Size: Dn15~250
 Material: Carbon Steel
 Transport Package: Plywood

Size: Dn15~250
 Material: Carbon Steel
 Transport Package: Plywood
 Medium: Corrosion Medium

Specification: CE, SGS, TS